

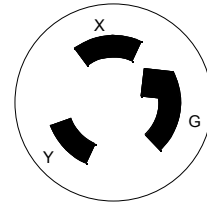
- A. Input Characteristics:**
- 1) Voltage: 200-250VAC
 - 2) Frequency: 50/60 Hz.
 - 3) Line Current: 30A Maximum
 - 4) Load Capacity: 6.90 KVA
 - 5) Overload Protection: (2) 2P/15A UL489 Circuit Breaker
 - 6) Power Cord: 10' (3m), #10AWG/3C
 - 7) Connector: NEMA L6-30P
 - 8) Indicators: Power-on, LED

- B. Output Characteristics:**
- 1) Voltage: 200-250VAC
 - 2) Current: 30A (Total Combined Load)
 - 3) Outlets: 2x 12 IEC C13

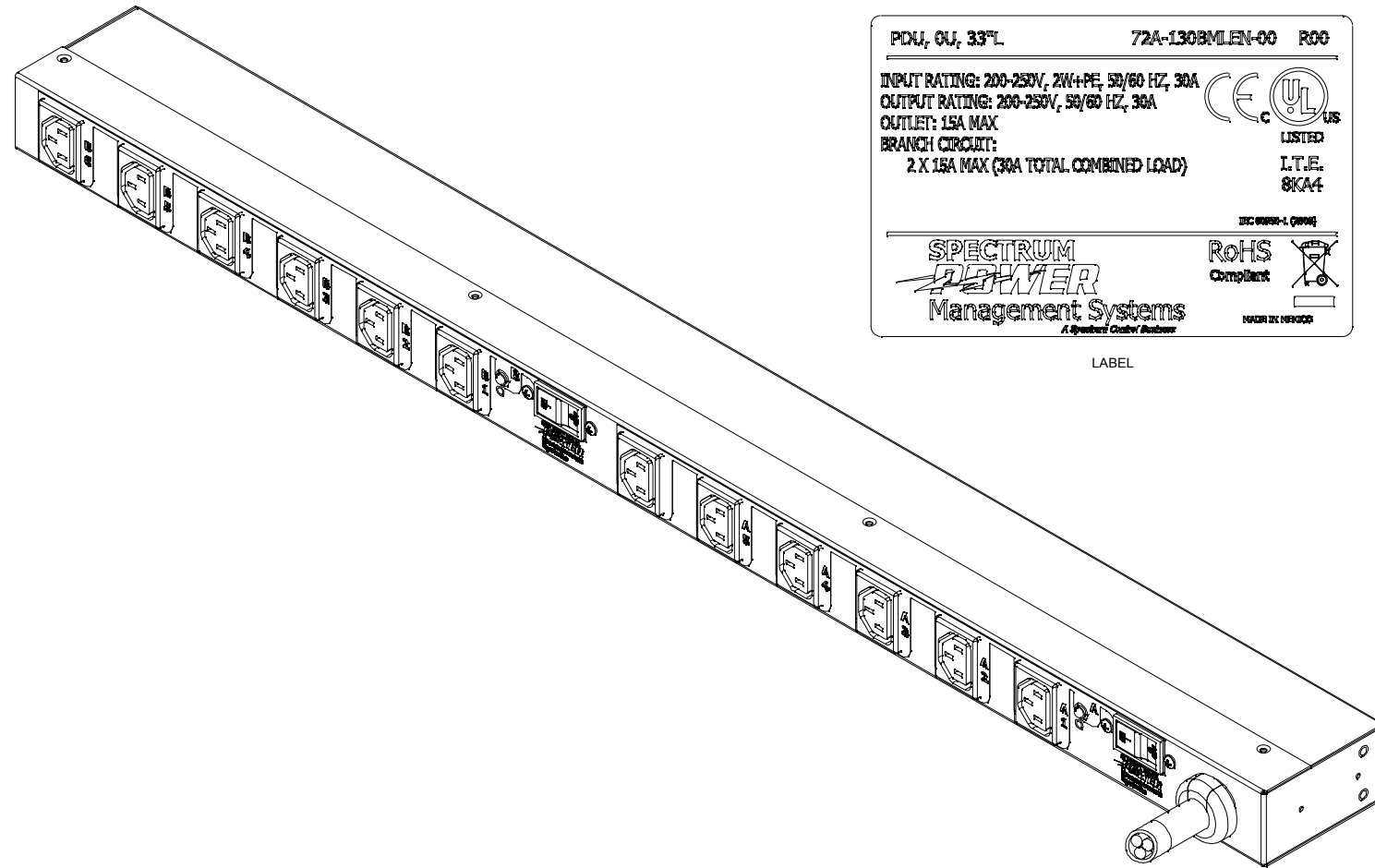
- C. Mechanical Characteristics:**
- 1) Material: CRS
 - 2) Finish: Powder Coat, Black, Fine Texture
 - 3) Lettering: Silk-Screen, White/Epoxy
 - 4) Storage Temp.: -(13) - 149F (-25 - 65C)

- D. Operating Environment:**
- 1) Temperature: 32 - 122F (0 - 50C)
 - 2) Relative Humidity: 0 - 95% (Non-Condensing)
 - 3) Elevation: 0 - 10,000FT (0 - 3000 m)

- E. Regulatory Conformance:**
- 1) Safety Agency: UL/cUL, UL60950-1, CE
 - 2) RoHS: Compliant to Directive 2002/95/EC



L6-30P PLUG END



PDU, 0U, 33" L 72A-130BMLEN-00 R00

INPUT RATING: 200-250V, 2W+PE, 50/60 HZ, 30A
 OUTPUT RATING: 200-250V, 50/60 HZ, 30A
 OUTLET: 12A MAX
 BRANCH CIRCUIT:
 2 X 15A MAX (30A TOTAL COMBINED LOAD)

UL LISTED I.T.E. SKATE

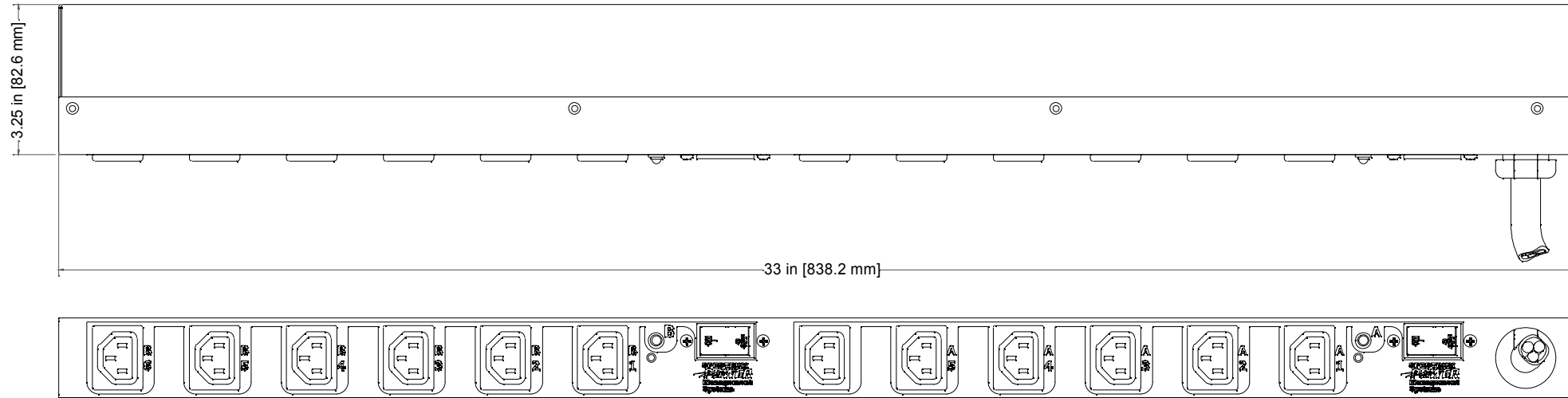
SPECTRUM POWER Management Systems

RoHS Compliant

LABEL



1.73 in [43.9 mm]



40243-ENG CHANGE NOTICE	DRAWINGS IN ACCORDANCE WITH STANDARD ANSI Y14.5M-1994 THIS DOCUMENT CONTAINS PROPRIETARY INFORMATION AND IS COPYRIGHTED. EXCEPT WITH THE WRITTEN PERMISSION OF SPECTRUM CONTROL, INC. OR ITS SUBSIDIARIES, SUCH INFORMATION SHALL NOT BE PUBLISHED OR DISCLOSED TO OTHERS, OR USED FOR ANY PURPOSE AND THIS DOCUMENT SHALL NOT BE DUPLICATED IN WHOLE OR IN PART.		TOLERANCES UNLESS OTHERWISE SPECIFIED: FRACTIONS ±1/64 DECIMAL .XX ± .020 DECIMAL .XXX ± .010 ANGLES ± 0~30'		<p>12X C13, DUAL BANK, 0U PDU</p> <p>72A-130BMLEN-00</p>	
	DRAWN: CarrS		DATE 2/22/2008			
	CODE IDENT NO:		STATE COLLEGE, PENNSYLVANIA			