

A. Input Characteristics:

- 1) Voltage: 120 VAC
- 2) Frequency: 50/60 Hz.
- 3) Current: 30A Maximum
- 4) Load Capacity: 3.60 KVA
- 5) Overload Protection: (2) 1P/15A UL489 Circuit Breaker
- 6) Power Cord: 10' (3m)
- 7) Connector: L5-30P

B. Output Characteristics:

- 1) Voltage: 120 VAC
- 2) Current: 15A
- 3) Outlets: 24X 5-20R

C. Mechanical Characteristics:

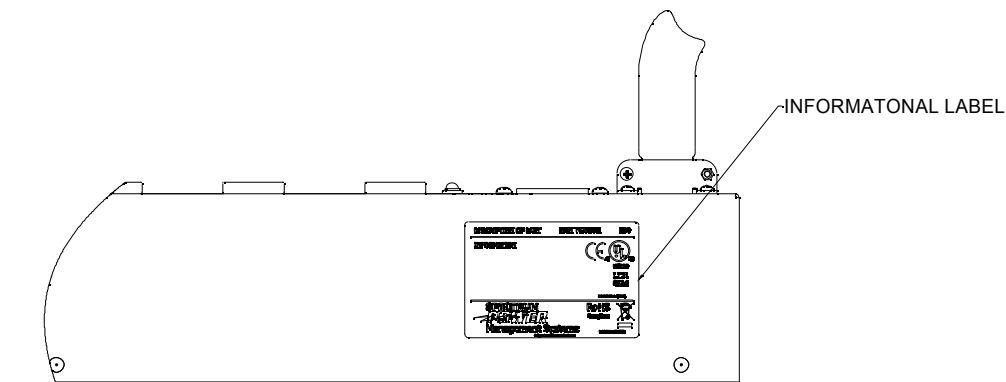
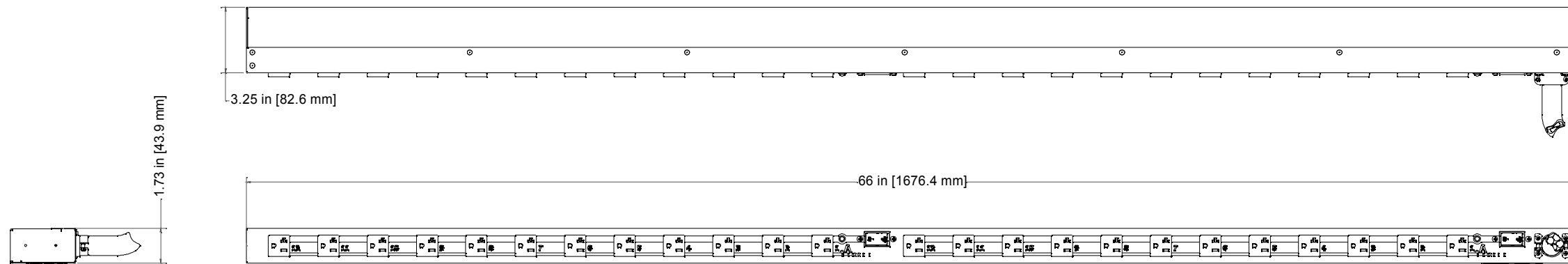
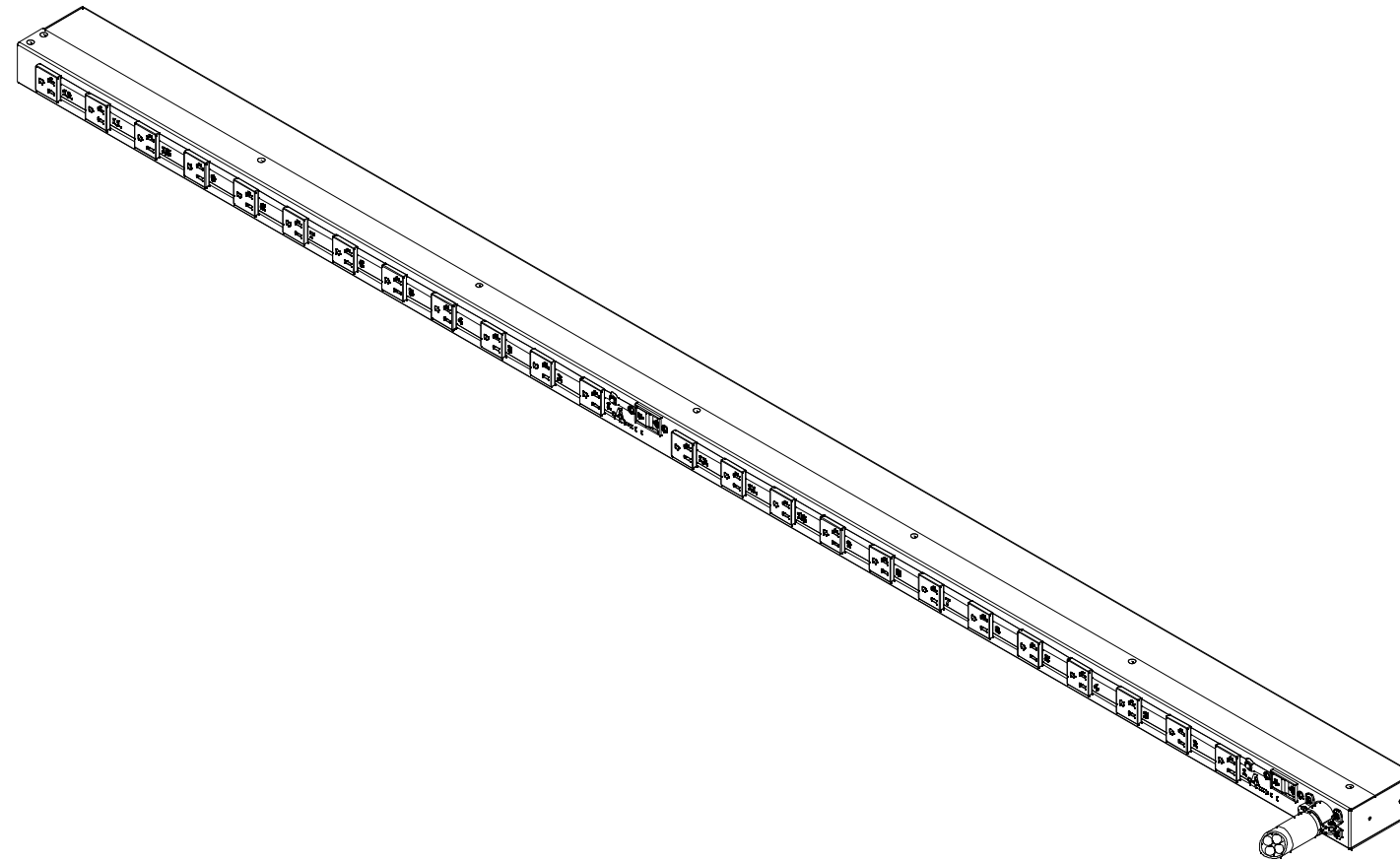
- 1) Material: CRS/G40 Galv. Coating
- 2) Finish: Powder Coat, Black, Fine Texture
- 3) Silk-Screen: White/Epoxy
- 4) Storage Temp.: -(25) - 149C (-25 - 65C)

D. Operating Environment:

- 1) Temperature: 32 - 122F (0 - 50C)
- 2) Relative Humidity: 0 - 95% (Non-Condensing)
- 3) Elevation: 0 - 10,000FT (0 - 3000 m)

E. Regulatory Conformance:

- 1) Safety Agency: UL/cUL, FCC 15 Class A, UL60950-1
- 2) RoHS: Compliant to Directive 2002/95/EC



42672-ENG CHANGE NOTICE	DRAWINGS IN ACCORDANCE WITH STANDARD ANSI Y14.5M-1994		TOLERANCES UNLESS OTHERWISE SPECIFIED: FRACTIONS ±1/64 DECIMAL .XX ± .020 DECIMAL .XXX ± .010 ANGLES ± 0~30'		
	THIS DOCUMENT CONTAINS PROPRIETARY INFORMATION AND IS COPYRIGHTED. EXCEPT WITH THE WRITTEN PERMISSION OF SPECTRUM CONTROL, INC. OR ITS SUBSIDIARIES, SUCH INFORMATION SHALL NOT BE PUBLISHED OR DISCLOSED TO OTHERS, OR USED FOR ANY PURPOSE AND THIS DOCUMENT SHALL NOT BE DUPLICATED IN WHOLE OR IN PART.		 THIRD ANGLE PROJECTION		
	DRAWN: CarrS	DATE 4/29/2008			SHEET: 1 OF 1

24X 5-20R 0U PDU
72A-130BHXBN-10